

CONTENTS

GENERAL.....	5
1.1 Basic rules	5
1.2 Competitions	5
1.3 Minimum Qualification Standard competition (MQS)	7
GENERAL SHOOTING RULES	9
RECORDS.....	12
QUALIFICATIONS	14
4.1 Qualification standards for World and Regional Championships.....	14
4.2 Qualification standards for Paralympic Games.....	16
TEAM COMPETITIONS.....	20
EQUIPMENT	21
6.1 General	21
6.2 Shooting chairs.....	21
6.3 Shooting jackets.....	25
6.4 Shooting trousers	26
6.5 Orthopaedic boots.....	27
DOPING CONTROL.....	28
TECHNICAL RULES:	29
RIFLE SECTION	
8.1. General.....	29
8.2 Shooting times.....	29
8.3 Shooting tables.....	31
8.4 ADDITIONAL RULES CLASS SH1	33
8.5 ADDITIONAL RULES CLASS SH2.....	35
TECHNICAL RULES:.....	38
PISTOL SECTION	

CONTENTS

9.1	Shooting events and times.....	38
9.2	Safety.....	38
9.3	Shooting position.....	39
	TECHNICAL RULES: ASSISTANTS	40
	TECHNICAL RULES:.....	41
	BLIND AND VISUALLY IMPAIRED SHOOTERS	
11.1	General.....	41
11.2	Shooting events and times.....	41
11.3	Equipment.....	42
11.4	Classification.....	43
11.5	Minimum disability.....	43
11.6	Dual classification	43
11.7	Targets.....	43
11.8	Assistants.....	44
	FUNCTIONAL CLASSIFICATION.....	45
12.1	Basic rules.....	45
12.2	Minimum disability.....	48
12.3	Classes.....	50
12.4	ID card.....	52
12.5	Classification Cheating.....	53
12.6	Epilepsy.....	53
	FALLING TARGETS	54
	APPENDIX A.....	57
	APPENDIX B.....	58
	APPENDIX C.....	59
	APPENDIX D.....	60

CONTENTS

APPENDIX E.....	62
APPENDIX F.....	63
APPENDIX G.....	66
INDEX	67



GENERAL

1.1 Basic rules

- 1.1.1 The International Shooting Committee for Disabled (ISCD) is the Sport Executive Committee (SAEC) of the International Paralympic Committee (IPC).

The IPC rules are not inserted or restated here and the rules in the ISCD Shooting Rulebook must be read in conjunction with the IPC rules if applicable.

- 1.1.2 The I.S.S.F. sport technical rules shall be enforced in all cases except where they are modified by these rules of the International Shooting Committee for the Disabled (hereafter called ISCD). The I.S.S.F. rules are re-enforced and not inserted or restated here and the rules in this book must be read in conjunction with the I.S.S.F. rules.

- 1.1.3 Situations that are not covered by the rulebook shall be decided by the ISCD.

- 1.1.4 The ISCD rulebook is produced originally in English and that version will be final in all cases of dispute.

1.2 Competitions

- 1.2.1 The competition is structured on 4 levels with different criteria.

1.2.2 Level 1 - Local competitions

- o Club or interclub
- o Developing competitions
- o Possibility for experimenting

Level 2 - National competitions

- o Open nationals
- o National competitions with international participation
- o Alternative events
- o Development competitions
- o Status of qualifying tournament: the result gives right to participation/quota places in IPC ranking tournaments

Level 3 - Minimum Qualification Standard competition

- o Open National or International competition of good quality with registration on IPC-calendar (see application form MQS – appendix F)
- o Status of qualifying tournament: the result gives right to participation/quota places in Paralympics

Level 4 - IPC ranking tournament

- o World or Regional Championship
- o Top-level competition
- o Quality control
- o Functional classification
- o Status of qualifying tournament: the result gives right to participation/quota places in Paralympics

Level 5 - Paralympics

- o Restricted competition, only with ranking points through quota places

1.3 Minimum Qualification Standard competition (MQS)

- 1.3.1 The level of the competition needs to be a minimum of a National Championship sanctioned by the National Paralympic Committee of the nation involved.
- 1.3.2 All applications for MQS must be submitted to the IPC secretariat before October 1st of the year preceding the competition.
- 1.3.3 All MQS competitions must be sufficiently advertised (website: www.shootonline.org)
No competition may be advertised until written confirmation has been obtained from ISCD.
- 1.3.4 The Paralympic events are the basic program for every MQS-competition in the specified level. The shooting program taking place will determine the minimum number of ISSF judges who must be present during the competition:

Level	Program	ISSF Judges
MQS1	Full program: R1 - R8/ P1 - P4 – FT	3
MQS2	Air events: R1 - R5 / P1, P2 - FT	2
MQS3	.22 events: R6 - R8 / P3, P4	2

- 1.3.5 The ISSF judges must be approved by ISCD. A copy of their ISSF license(s) must accompany the application form.
- 1.3.6 The result book must be submitted in paper and electronic version.

Chapter 1- GENERAL

The electronic version shall be in Excel-format and the ID-numbers will be included in the results as well as the shooter's sub /sub – sub classes.

- 1.3.7 Doping: the organizer must submit evidence of having notified in writing the National anti-doping body.
- 1.3.8 The organizer will confirm in writing that the ranges and targets used will conform to the relevant ISSF regulations edition 2004 and subsequent amendments.
- 1.3.9 A minimum of 4 countries needs to participate at the competition.
- 1.3.10 World records cannot be obtained during this competition.
- 1.3.11 A fee of 250 US\$ will be submitted to IPC on bank account:
- Deutsche Bank AG
Bonn, Germany
BLZ 380 700 59
Account/Konto: 0290122
- Mentioning MOS-competition + name and date of the competition.
- 1.3.12 Unclassified athletes (no ID-card) will have their result (MOS) ratified when subsequently classified.



2

GENERAL SHOOTING RULES

- 2.1 All guns must be handled and discharged safely as per I.S.S.F. rules. It will be the responsibility of the coaches and/or the delegation leaders to ensure that competitors entered in shooting events are able to handle rifles and/or pistols safely. Violation of this rule can result in immediate disqualification of the competitor.
- 2.2 Violation of the rules will be handled as per I.S.S.F. rules.
- 2.3 Competition numbers shall be assigned to competitors for each competition and shall be published in all competitor lists and timetables etc. This number and relevant class and subclass shall be displayed on the backrest of the shooting chair if available. If not, it should be on the back of the competitor's jacket and must be of sufficient size to be easily read from the public gallery.
- 2.4 All protests, appeals inclusive, regarding technical matters must be handled as per I.S.S.F. rules. Protest fee must be delivered by hand to the Organizing Committee. The appropriate fee must accompany appeals. If the protest is upheld, the Organizing Committee must return the protest fee. If the protest is denied the protest fee will be retained by the

Chapter 2- GENERAL SHOOTING RULES

- ISCD. The decision of the Jury of Appeal is final. A model of the protest-form is enclosed as appendix D (side A and B).
- 2.5 For Paralympic Games, World- and Regional Championships the ISCD can decide to allow Organizing Committees to restrict the number of competitors per country per event.
- 2.6 For World and Regional Championships and MOS-competitions the number of competitors for an event to take place must be a minimum of 4 countries on the starting list.
- 2.7 Bids for organizing sanctioned shooting competitions have to be submitted according to IPC rules.
- 2.8 The Technical Delegate of the ISCD must approve and be part of the Jury of Appeal. The names of the Jury and the Jury of Appeal must be announced before the start of the competition.
- 2.9 The composition of the Jury for each sanctioned competition shall be:
- a. Shooting Jury I.S.S.F. rules and ISCD rules:
 - 1 I.S.S.F. judge according to I.S.S.F. rules.
 - 2 by ISCD appointed judges, 1 for pistol and 1 for rifle.
 - The ISCD-judges need to have an ISSF B-license.
 - b. Shooting Jury of Appeal:
 - 1 chairman (Technical Delegate)
 - 1 I.S.S.F. judge
 - 1 ISCD judge
- 2.10 Before the start of the competition there shall be a technical meeting with representatives of the participating countries and the Organizing

Chapter 2- GENERAL SHOOTING RULES

Committee, supervised by the Technical Delegate of the ISCD.

- 2.11 An athlete, team official, team member or any other who:
- o contravenes the spirit of fair-play
 - o offends manifestly members of any committee, officials or referees in the course of his/her official duties
 - o behaves himself/herself in a manner which discredits ISCD, IPC, any International Federation or the Organizers of a competition
- may be penalized.

This unsporting conduct by any will result in:

- a. 1st violation: a warning (**yellow card**)
 - b. 2nd violation: expulsion from the range complex (**red card**)
 - c. failure to comply with the red card will result in expulsion for the remainder of the competition and a letter sent to the respective national Federation advising it of the action taken and the reasons for it.
- 2.12 The ISCD may impose any penalty it sees as appropriate in the circumstances as per rules and regulations of the relevant National Federation.

A right of appeal shall lie to the Executive Committee of the relevant National Federation.



RECORDS

- 3.1 For records to be recognized by the International Shooting Committee for the Disabled, the competition must:
- a. be Paralympic, World or Regional competition.
 - b. be sanctioned by the ISCD
 - c. be shot in accordance with the I.S.S.F. and ISCD rules;
 - d. all records are subject to doping control rules.
- 3.2 In addition, for sanctioning and record acknowledgement purpose, the Organizing Committee of a competition have to comply with the following conditions:
- a. the Secretariat of the ISCD shall be notified of competition details according to IPC rules.
 - b. one Technical Delegate or a technical representative of the ISCD must attend the competition, at the expense of the organizing committee, to supervise the match.
 - c. two ISCD judges must attend the competition as jury members at the expense of the organizing committee.

Chapter 3- RECORDS

- d. two ISCD functional classifiers must attend the classification at the expense of the organizing committee,
- e. all results and records achieved shall be forwarded to the Secretariat of the ISCD, for registration and maintenance of the records-book within two months after the competition.
- f. the form "Application for Shooting-record" (model and conditions specified on appendix C) must be submitted in time to the Secretariat of the ISCD



QUALIFICATIONS

4.1 Qualification standards for World and Regional Championships

- 4.1.1 Qualification standards for the athletes.
- a. For World and Regional Championships competitors must reach the qualifying standards shown in rule 4.1.1.d. for rifle and pistol in each event they wish to enter in the World or Regional Championships.
 - b. For World and Regional Championships the ISCD has the discretion to distribute wildcards
 - c. The qualifying standards must be obtained during MQS competitions, National Championships or other ISCD designated competitions.
 - d. Minimum standards for World and Regional Championships

Event	Discipline	Sex.	Class	Qualification
R1	Air rifle standing	Men	SH1	545
R2	Air rifle standing	Women	SH1	355
R3	Air rifle prone	Mixed	SH1	575
R4	Air rifle standing	Mixed	SH2	570
R5	Air rifle prone	Mixed	SH2	575
R6	English Match .22	Mixed	SH1	560

Chapter 4- QUALIFICATIONS

R7	Free Rifle .22	Men	SH1	1060
R8	Sport Rifle .22	Women	SH1	525
R9	English Match.22	Mixed	SH2	560
R10	Air rifle standing	Mixed	SH3	545
R11	Air rifle prone	Mixed	SH3	575
FTR1	Falling Targets	Mixed	SH1	
FTR2	Falling Targets	Mixed	SH2	

Event	Discipline	Sex.	Class	Qualification
P1	Air pistol	Men	SH1	535
P2	Air pistol	Women	SH1	340
P3	Sport pistol .22	Mixed	SH1	530
P4	Free pistol .22	Mixed	SH1	490
P5	Air Pistol Standard	Mixed	SH1	To be determined
FTP	Falling Targets	Mixed	SH1	

- 4.1.2 English Match .22 Mixed SH2
For safety reasons, the shooter has to prove his/her skill before participating in this event. This has to be done by obtaining the regional qualification score for air rifle prone or standing, in an MQS competition, a regional or world championship or at the Paralympics.
- The maximum weight of the rifle may not exceed 6,5 kg. (same as for women ISSF and women ISCD)
- 4.1.3 The competitions can be split into Air and firearms competitions.
- 4.1.4 For separate Air competitions, the following events must be included in every championship:
Rifle: R1 - R2 - R3 - R4 - R5 – R10 - R11 – FTR1 – FTR2
Pistol: P1- P2 - P5 - FTP

Chapter 4- QUALIFICATIONS

- 4.1.5 For separate firearm competitions, the following events must be included in every championship
Rifle: R6 - R7 - R8 – R9
Pistol: P3 - P4
- 4.1.6 In case of a very limited number of athletes in an event, ISCD is the only authority to decide upon deletion of this event for level 3 and 4 competitions

4.2 Qualification standards for Paralympic Games

- 4.2.1 Qualification standards for athletes
- Competitors must reach the qualifying standards shown in rule 4.2.1.c. for rifle and pistol in each event they wish to enter in the Paralympic Games. Athletes that have qualified for Paralympic Games with 2 qualifying scores are allowed to compete in additional events if 1 qualification score has been achieved in the additional event.
 - The qualifying standards must be obtained during World- and Regional Championships or other by ISCD designated competitions.
 - Minimum standards for Paralympics

Event	Discipline	Sex.	Class	Qualification
R1	Air rifle standing	Men	SH1	563
R2	Air rifle standing	Women	SH1	367
R3	Air rifle prone	Mixed	SH1	590
R4	Air rifle standing	Mixed	SH2	585
R5	Air rifle prone	Mixed	SH2	590
R6	English Match .22	Mixed	SH1	565
R7	Free Rifle .22	Men	SH1	1080
R8	Sport Rifle .22	Women	SH1	530

Event	Discipline	Sex	Class	Qualification
P1	Air pistol	Men	SH1	545
P2	Air pistol	Women	SH1	347
P3	Sport pistol .22	Mixed	SH1	540
P4	Free pistol .22	Mixed	SH1	505

4.3 Qualification list

- 4.3.1 A list will be established for all competitors taking part in the competitions. This list will be composed and based on the results of 2 sanctioned competitions, in the four-year cycle between two Paralympic Games.
- 4.3.2 The position on the Qualification List will be based on the average of the 2 best results.
A result in an event needs to be equal or better than the qualifying standards for Paralympic Games.
- 4.3.3 After the last sanctioned event of the Paralympiad, the final list will include all eligible athletes for participation in the Paralympic Games.
- 4.3.4 There will be a maximum of 3 athletes per country per event.
- 4.3.5 The Paralympic Committee will limit the total number of participants and is at this point an unknown factor. (A)

The sum of all the eligible athletes will be made by using this formula:

$$\frac{\text{Maximum number (A) - wildcards}}{\text{Eligible athletes}} = \text{ratio}$$

This ratio will be used to determine the number of athletes per country.

Chapter 4- QUALIFICATIONS

*Example: Suppose the percentage is 60 %. In the case of 24 eligible athletes, $24 \times 0.6 = 14.4$
So 14 slots are allocated to that country.*

- 4.3.6 A distinction is made for a qualification obtained through MQS only or through World or Regional competitions.
To calculate the quota for each country, The ISCD will use the following procedure:

$$Q = MQS + WR$$

Q = Overall Qualifications (=eligible athletes for all countries)

MQS = Overall Qualifications obtained through MQS only

WR = Overall Qualifications obtained through World or Regional competition.

WRC = Qualification obtained by World or Regional championships per country

$$P = \frac{MQS}{Q}$$

P = percentage of MQS only on the overall qualifications

$$MQSC * P = Y$$

Y = MQS Qualifications to count with in the Available Qualification Slots (MQSC = per country)

$$AS = Y + WRC$$

AS = Available Qualification Slots per country

$$AS * R = FS$$

R = Ratio (see formula 4.3.5)

FS = Final slots per country

Example: 460 overall qualifications

Chapter 4- QUALIFICATIONS

160 obtained through MQS only: $160/460 = 35\%$

Country has 15 overall qualifications . 10 of them are obtained by MQS

$$Y = 10 * 35\% = 3,5 > 3$$

$$AS = 5 + 3 = 8$$

*Suppose the ratio is 0,8, the total of slots available for the Paralympic Games = $8 * 0,8 = 6,4 \rightarrow 6$ (FS)*

- 4.3.7 Slots allocated to a certain country which are not accepted will be distributed to other countries by ISCD.
The countries have to make a request for additional slots to the ISCD-committee in writing.
- 4.3.8 The ISCD committee is the only body authorized to make decisions regarding additional slots and wildcards.



5

TEAM COMPETITIONS

- 5.1 There will be team competitions in each event as numbers permit except for the Paralympics (as per I.S.S.F.).
- 5.2 All teams must consist of three competitors.
- 5.3 In competitions up to level 3, two teams per country are allowed in each event.
- 5.4 In level 4 competitions, only one team per country is allowed in each event.
- 5.5 To have team-competition in an event, at least four countries must be on the start list of that event.
- 5.6 Team scores will be shot concurrently with the individual scores, i.e. no separate team matches will be shot.
- 5.7 Medals will be presented in team events as per regulations of I.S.S.F. and/or IPC (3 gold, 3 silver and 3 bronze medals).



EQUIPMENT

6.1 General

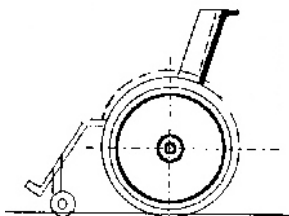
- 6.1.1 The equipment used must be inspected and passed before the start of the match as per I.S.S.F.

A check list as described in appendix E shall be used as a record of the checking process.

- 6.1.2 All equipment, specific to ISCD must conform to ISCD standards.

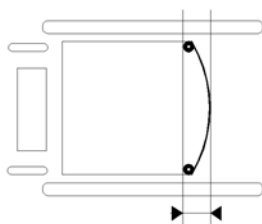
6.2 Shooting chairs

- 6.2.1 For definition purposes, wheelchairs, stools, chairs and seats will be referred to as 'shooting chairs'.
- 6.2.2 All shooting chairs will be checked with the shooter in the shooting position during the equipment control and will be subject to spot checks on the shooting line before, during or immediately after the competition.
- 6.2.3 No part of the backrest of any shooting chair will be permitted to exceed the maximum height laid down in these rules, including and especially the vertical side posts of the backrest. (see figure)



Handles and side posts may not exceed height of backrest

- 6.2.4 No part of the backrest may be higher than the maximum height allowed by the shooter's classification.
- 6.2.5 The maximum slack (stretch) of the fabric of the backrest, that is the distance from the front of the vertical side posts of the backrest to the deepest part of the backrest, shall not exceed 8 cm. (see figure). This is to be measured with the shooter in the chair in the shooting position.



Slack < 8cm

- 6.2.6 For sitting shooters in class SH1A, not shooting from a wheelchair must use a shooting chair suited to his/her height.
- the sitting angle is unlimited.
 - The angle of the surface of the seat of the shooting chair is allowed up to 5 degrees from horizontal.
 - The chair may be upholstered with material compressible up to a maximum of 5 cm.

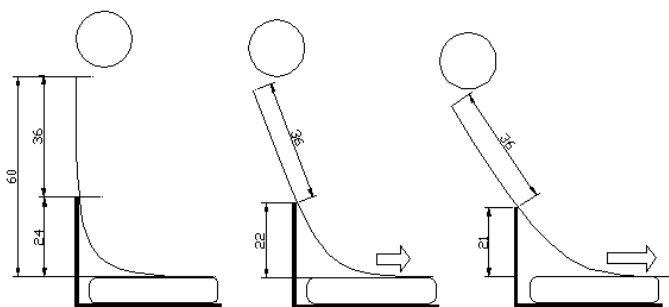
- The shooter must be able to remove his/her feet off the floor, without losing balance and without moving the upper body.

The measurement will be taken as follows:

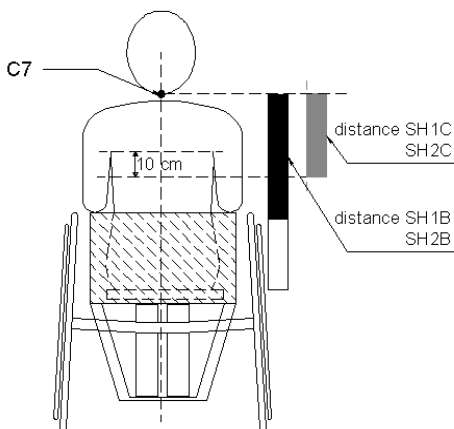
- in shooting position with shooting equipment
- the upper body in upright position without shooting equipment

- 6.2.7 Shooters and their equipment must be within the designated size of their firing point.
- 6.2.8 The centerline of the barrel in case of sitting competitors must not exceed more than 150 cm, measured from the ground or floor. The ISCD can decide, because of circumstances, to allow different heights-
- 6.2.9 The sitting angle and backrest angle is free.
- 6.2.10 For class SH1B & SH2B shooters a minimum of 60% of the total back-length of the shooter need to be above the backrest.
The length of the spine is measured in vertical position from the surface on which the shooter is sitting, along the contour of the spine to the middle of vertebra C7 (vertebra prominence).

The measurement will be done during functional classification without shooting gear.



- 6.2.11 For class SH1C & SH2C shooters the length measured from C7 until 10 cm under the armpits (axilla), at the rifle supporting side for rifle shooters and the side of the shooting arm for pistol shooters, needs to be free above the backrest.

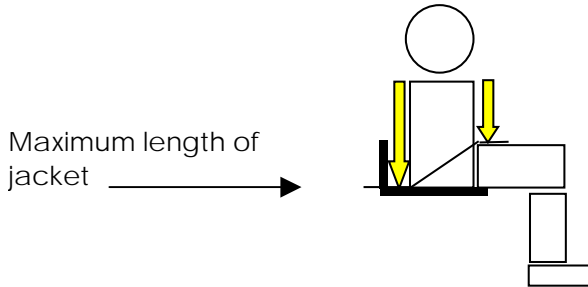


- 6.2.12 The minimum length of back above the backrest will be marked on the ID card.
- 6.2.13 The minimum length of back above the backrest will be marked on the shooting jacket (as a reference only) in the center of the back and the mark must be visible at all times.

- 6.2.14 For SH1A and SH2A shooters, a back-support of any height may be fitted to the shooting chair in such a way that competitors may take a rest against it between shots. However there must be clearly no contact between shooter and back-support when firing.
- 6.2.15 Sitting competitors in class SH1A and SH2A may choose to stand. If so they must stand free of any artificial support with the exception of medically certified normal prosthesis/ orthosis.
- 6.2.16 A shooting chair will be supplied by the competitor.
- 6.2.17 Strapping to wheelchairs: it is permitted to have 1 below knee strap to the chair and the legs may be strapped together once above the knees but not to the chair.
- In the case of double above-knee amputees a strap across the stumps and strapped to the chair is permitted.
Straps must not exceed 5 cm in width.
- 6.2.18 All parts of the shooters equipment or body, which make contact with the floor or ground, must be behind the firing line.

6.3 Shooting jackets

- 6.3.1 The maximum length of the shooting jacket may not be longer than down to the lap in front and down to the top of the cushion in back, in case of sitting competitors. The length of the jacket will be measured in standing shooting position.



- 6.3.2 For SH1A, SH2A and SH3 shooters an ordinary jacket as prescribed by ISSF is allowed in case they shoot from a high stool or free standing. No competitors are allowed to sit on their shooting jackets during competition. When shooting from a wheelchair, rule 6.3.1 applies.
- 6.3.3 The same shooting jacket may be used in all shooting positions. Only one shooting jacket may be approved by equipment control for each shooter for all rifle events in one championship.
- 6.3.4 An exception on 6.3.3 is made for SH1 athletes who shoot the prone position lying on the floor or table in event R6 (English Match), R7 (Free Rifle) and/or R8 (Standard Rifle). For them it is allowed to use an ISSF regulated jacket in this position only.

6.4 Shooting trousers

- 6.4.1 Shooting trousers are prohibited for sitting competitors.
- 6.4.2 For SHA1 shooters shooting trousers as prescribed by ISSF is allowed in case they shoot from a high stool or free standing.

- 6.4.3 For definition of the shooting trousers, reference is made at ISSF rule 7.4.9.7 (Edition 2005 (First Printing, 09/2004))

6.5 Orthopaedic boots

Orthopaedic boots are individually prescribed and fashioned footwear used all day in daily life to enable the individual's medical condition. It must be checked and recorded at functional classification if this footwear may be used in competition.



DOPING CONTROL

- 7.1 The use by competitors of substances, identified in the list of the International Olympic Committee (IOC) titled "Banned and restricted doping classes and methods", is not permitted.
- 7.2 Competitors are liable to be subjected to doping control tests.
- 7.3 Each shooter has to submit a list of his/her medications, certified by a medical doctor if selected for doping control.
- 7.4 Penalties for testing positive under the doping control tests shall conform to the "Doping Section" of the International Paralympic Committee (IPC) handbook.
- 7.5 Doping fees must be included in entry fees for the competition.
- 7.6 The number of tests will be determined by ISCD in conjunction with the Organizing Committee of the relevant competition



TECHNICAL RULES: RIFLE SECTION

8.1. General

- 8.1.1 In case of a tie of the qualification match for more than 8 shooters with a maximum score, the 8 finalists will be decided by using the decimal scores of the full qualification match.

8.2. Shooting times

- 8.2.1 All shooting times are according to ISSF rules (Edition 2005 (First Printing, 09/2004))
- 8.2.2 World- and Regional Championships will comprise out of the following rifle events:

Chapter 8 - TECHNICAL RULES: RIFLE SECTION

Event	Discipline	Sex.	Class	Shots	Mtr	Time
R1	Air rifle standing	Men	SH1	60	10	1:45
R2	Air rifle standing	Women	SH1	40	10	1:15
R3	Air rifle prone	Mixed	SH1	60	10	1:30
R4	Air rifle standing	Mixed	SH2	60	10	1:45
R5	Air rifle prone	Mixed	SH2	60	10	1:30
R6	English Match .22	Mixed	SH1	60	50	1:30
R7	Free Rifle .22	Men	SH1	40 prone 40 standing 40 kneeling	50	1:00 1:30 1:15
R8	Sport Rifle .22	Women	SH1	20 prone 20 standing 20 kneeling	50	2:30
R9	English Match .22	Mixed	SH2	60	50	1:30
R10	Air rifle standing	Mixed	SH3	60	10	1:45
R11	Air rifle prone	Mixed	SH3	60	10	1:30

8.2.3 Paralympic Games will comprise out of the following rifle events:

Event	Discipline	Sex.	Class	Shots	Mtr	Time
R1	Air rifle standing	Men	SH1	60	10	1:45
R2	Air rifle standing	Women	SH1	40	10	1:15
R3	Air rifle prone	Mixed	SH1	60	10	1:30
R4	Air rifle standing	Mixed	SH2	60	10	1:45
R5	Air rifle prone	Mixed	SH2	60	10	1:30
R6	English Match .22	Mixed	SH1	60	50	1:30
R7	Free Rifle .22	Men	SH1	40 prone 40 standing 40 kneeling	50	1:00 1:30 1:15
R8	Sport Rifle .22	Women	SH1	20 prone 20 standing 20 kneeling	50	2:30

Note: times mentioned in the tables 8.2.2 and 8.2.3 are valid for pit operated competitions or target carriers

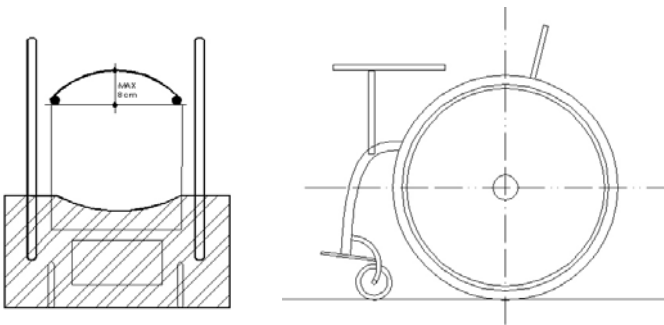
8.2.4 In case of electronic target systems the following competition times are used, both in World and Regional Championships and in Paralympic Games:

Event	Discipline	Sex.	Class	Shots	Mtr	Time
R6	English Match .22	Mixed	SH1	60	50	1:15
R7	Free Rifle .22	Men	SH1	40 prone 40 standing 40 kneeling	50	0:45 1:15 1:00
R8	Sport Rifle .22	Women	SH1	3x20	50	2:15
R9	English Match .22	Mixed	SH2	60	50	1:15

It is recommended that in Sport rifle 3x20 competitions, at least every third firing point is left empty to ensure position changes without disturbing other shooters during the match.

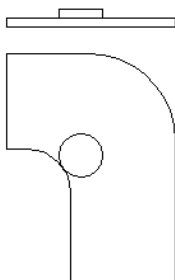
8.3 Shooting tables

8.3.1 Shooting tables for sitting classes may be attached to the shooting chair or may be free standing. A small upstanding edge to prevent small items from falling may be fitted but in no way shall it be used for additional stability or support of the shooter



Chapter 8 - TECHNICAL RULES: RIFLE SECTION

- 8.3.2 The shooting table must be horizontal or at the same angle as the floor, measured at the center of the table. (A variation of ± 5 deg is allowed)
- 8.3.3 In rifle shooting the table or board may be upholstered with compressible material of a maximum thickness of 2 cm. Other material on the table must be of uniform thickness for both elbows. It is not permitted to make a hollow in the table or board or in the upholstered material.
- 8.3.4 If required because of uneven arm length or similar problem, a compensating block may be used, but this fact must be authorized by the functional classification panel and marked on the classification card.
- 8.3.5 The maximum surface for support of the elbow in kneeling position is 10 cm in diameter.
- 8.3.6 If a large table is used in the kneeling position, a removable board with a diameter of 10 cm and a thickness of at least 20 mm must be attached to this table fixed at the edge of the full board.



- 8.3.7 The table, if fitted, must not be used to gain support or stability for the body in any way, except for prone

position. A separate board or table may be allowed for the shooting stand.

8.4 ADDITIONAL RULES CLASS SH1

Competitors who do not use a rifle support stand.

8.4.1 All competitors in class SH1 will compete in the same class; the subclasses are only to define the backrest height according to their classification.

8.4.2 Sitting competitors in class SH1A may choose to stand, but if so they must stand free of any artificial support with the exception of medically certified normal prosthesis/orthosis.

In the case of SH1 arm-amputee shooters, it is allowed to hold the rifle with a normal prosthesis, as long as the prosthesis does not grip the rifle and does not have a fixed elbow.

8.4.3 If standing in SH1A, all shooting positions will be shot as described in the I.S.S.F. rules with the following exceptions:

- a. In free rifle prone position a shooting chair is allowed.
- b. In the kneeling position of the three position events a stool of 350 mm. maximum height can be used if marked on the classification card.
If a shooting chair and table is used, the competitor must comply with all rules regarding the use of shooting chairs and tables in kneeling positions.
- c. In air rifle prone events competitors may not lay down, but must use a table (and a shooting chair if wanted)

8.4.4 In the standing position from a shooting chair the rifle must be held with the arms only, without support (as per I.S.S.F.). No part of the arms may come in contact with any part of the shooting chair. Not any part of the elbows is to make contact with the lap, wheel or gain support other than from the ribcage, hip or abdomen.

In particular the backrest uprights are not to be used for support.

8.4.5 In the kneeling position from a shooting chair or stool, or standing at a table, only one elbow must rest on the table or board and the body must be well clear of the board. No support may be gained from the board/table frame.

8.4.6 In the kneeling position from a chair or stool, the supporting forearm must form an angle of not less than 30 degrees from the horizontal. Only the point of the elbow may be supported on the 10 cm block.

8.4.7 In prone shooting, both elbows (not upper arms) must rest on the table or board. The forearm in this position must not form an angle of less than 30 degrees from the horizontal, measured from the axis of the forearm. The chest and/or abdomen may rest on the board or table.

8.4.8 In all standing events, the arms and sideboards of the shooting chair and the shooting table must be removed.
If the construction of the wheelchair requires a sideboard, the height of this may not exceed the height of the top of the wheel.
In kneeling events, the arm(s) of the shooting chair, which are not used to attach the table/board to,

must be removed. In prone and kneeling positions the arms of the shooting chair are a part of the shooting table.

- 8.4.9 The use of a loading assistant is permitted if sanctioned by classification.
- 8.4.10 In case a loading assistant is used, chapter 10 applies. In standing position, the shooter must clearly and visibly deshoulder between shots.

8.5 ADDITIONAL RULES CLASS SH2

Competitors who need to use a rifle shooting stand.

- 8.5.1 All competitors in class SH2 will compete in the same class; the subclasses are only to define the backrest height and the spring flexibility according to the classification.
- 8.5.2 All competitors Class SH2 will compete in the same class and will use an approved support stand (see appendix A) to support the weight of the rifle. No other support or mechanical devices may be used as a support for the rifle. The shooting stand may be fixed to the table or on a tripod.
- 8.5.3 The support stand, this is the top part (80 mm pin and rifle holder - total weight less than 200 gr), spring must be an official ISCD marked model. The measurement will be done according appendix B.

It is allowed to shorten the bottom part of the support stand. The remaining length needs to be at least 40 mm, so that it will be possible to check the flexibility of the support stand during equipment control.

- 8.5.4 The combination of balance, disability and arm/finger strength and function will determine which spring the shooter shall use and will be assessed at the classification.

Spring characteristics	Subclass
WEAK SPRING	SH2Aa
=	SH2Ba
flexibility minimum 35 mm	SH2Ca
STRONG SPRING	SH2Ab
=	SH2Bb
flexibility minimum 25 mm	SH2Cb

- 8.5.5 The rifle may not contact both sides of the yoke at the same time.
 The yoke (rifle holder) must be at least 1 cm wider than the width of the rifle stock.
 The pin and the spring of the shooting stand must be in vertical position, front to back.

It is allowed to add material inside the yoke as long as it is comparable to the surface of a shooting glove and it doesn't interfere with the measurements of the yoke.

- 8.5.6 Sitting competitors in class SH2A may choose to stand, but if so they must stand free of any artificial support with the exception of medically certified normal prosthesis/orthesis.

In case of SH2 arm-amputee shooters it is not allowed to hold (touch) the rifle with the prosthesis in standing position.

- In prone position it is allowed to hold the rifle with a normal prosthesis that does not grip the rifle or has a fixed elbow.
- 8.5.7 No device or substance may be attached to the rifle or the shooting stand in order to hold the rifle in a fixed position in, or against the shooting stand. The hands must not interfere with the operation of the spring when firing a shot. They must not be placed in front of the spring.
- 8.5.8 In all SH2 shooting positions the use of a sling is prohibited.
- 8.5.9 A SH2 shooter is allowed to add material that gives increased grip for the hands on the rifle, and on the butt plate to increase the grip on the jacket. The rifle needs to remain within the specified dimensions.
- 8.5.10 The point of balance of the rifle must be marked at equipment check. The rifle must be placed +/- 5 cm of its point of balance on the rifle support stand and the total 10 cm range must be marked. The complete yoke must be within the 10 cm range.
- 8.5.11 In case of gas or compressed air rifles, the point of balance will be measured with full containers.
- 8.5.12 In the standing position all shooters must clearly and visibly deshoulder the rifle in between shots.

9

TECHNICAL RULES: PISTOL SECTION

9.1 Shooting events and times

9.1.1 All shooting times are according ISSF rules

9.1.2 World- and Regional Championships will comprise out of the following pistol events :

Event	Discipline	Sex	Clas	Shots	Mtr	Time
P1	Air pistol	Men	SH1	60	10	1:45
P2	Air pistol	Women	SH1	40	10	1:15
P3	Sport pistol .22	Mixed	SH1	60	25	
P4	Free pistol .22	Mixed	SH1	60	50	2:00
P5	Air Pistol Standard	Mixed	SH1	40	10	

9.1.3 The event P5 – Air Pistol standard is shot according to ISSF rules on one stationary air pistol target
No final will be shot in this event.

9.1.4 The trigger weight for P3 – Sport Pistol will be 1000 gr.

9.2 Safety

9.2.1 A device to hold the pistol to enable it to be loaded safely by hand/arm amputee may be used upon approval of the range official.

9.3 Shooting position

- 9.3.1 In pistol shooting, the non-shooting hand must not be on the shooting chair.
- 9.3.2 In all pistol events the armrests and sideboards of the shooting chair must be removed.
If the construction of the wheelchair requires a sideboard, the height of this may not exceed the height of the top of the wheel.



TECHNICAL RULES: ASSISTANTS

- 10.1 Competitors may be allowed to have a target-changer or a loading-assistant if necessary.
- 10.2 The decision to use a loading-assistant can only be made by the functional classification panel and will be marked on the classification card and the ID card.
- 10.3 The target-changer must not speak or give signals during the match. He/she may only change targets.
- 10.4 The loading-assistant must not speak or give signals during the match. He/she may only load the rifle and/or adjust the sights at the request of the shooter.
- 10.5 The target-changer and/or loading-assistant must be at least 1 m behind the competitor between shots. Exceptions can be made at the discretion of the Jury.
- 10.6 Coaches are permitted to approach the line on request of the shooter if permitted by the range official.



TECHNICAL RULES: BLIND AND VISUALLY IMPAIRED SHOOTERS

11.1 General

11.1.1 For definition purposes, blind and visually impaired shooters will be referred to as 'shooters'.

11.2 Shooting events and times

11.2.1 Rifle competitors will be eligible to compete in the World Championships and Regional Championships in the event listed below:

Event	Discipline	Sex.	Class	Shots	Mtr	Time
R10	Air rifle standing	Mixed	SH3	60	10	1:45
R11	Air rifle prone	Mixed	SH3	60	10	1:30

11.2.2 Shooting position

- a. Standing shooting position must be as per ISSF, with the exceptions of shooters with dual classification, who must follow the rules for ISCD SH1 shooters.

- b. Prone position must be shot according to the ISCD rules for SH1A shooters, with the exception of shooters with dual classification who must follow the rules for SH1A, B or C depending the classification.

11.3 Equipment

- 11.3.1 All equipment shall meet the I.S.S.F and ISCD regulations, except for the maximum weight of the rifle and the sighting system. SH3 is part of the ISCD and the rules below specify the weight and sighting system
- 11.3.2 An air rifle, equipped with a special scope, is used. This scope contains, or is connected to, an electronic circuit, which transforms light into sound. A tone of higher or lower pitch is produced related to the intensity of the light on the target. The scope picks up the reflection of the light from the target. In this way the shooter will be able to "hear" the aiming on the target in the ear/headphone that is used.
- 11.3.3 The maximum weight of the rifle, the attached aiming device inclusive, may not exceed six (6) kilograms.
- 11.3.4 The rifle may be equipped with a telescope, which transforms light into sound. The sound is transferred by means of a head- or earphone to the hearing of the competitor. No other aiming-devices may be attached to the rifle.
- 11.3.5 The competitor shall provide his/her own lamp.

- 11.3.6 The transmitted sounds, produced by acoustic ear/headphones, shall not exceed a number of decibels likely to hamper other competitors

11.4 Classification

- 11.4.1 All shooters shall be classified into one valid class SH3.

11.5 Minimum disability

- 11.5.1 The shooters are allowed to take part in the competitions if they fulfill the minimum disability: Visual acuity no higher than 0,1(6/60) with best correction and/or visual field limitation less than 20 degrees.

11.6 Dual classification

- 11.6.1 In case a SH3 shooter has additional disability as described in the ISCD rules for functional classification, the shooter may choose to shoot in sitting position and use a shooting chair in conformity with the ISCD rules for SH1 shooters.

11.7 Targets

- 11.7.1 In competitions the normal I.S.S.F. international pistol targets (for 10 meter air-pistol) are used.
- 11.7.2 It is permissible to put a fixed sighting target (Swarovski or Pistol target) on the wall, just above the area where the target transport normally places the target for aiming purposes and then shoot on the I.S.S.F. pistol target. The aiming target may not be placed in front of the competition target – the whole competition target shall be visible for the judges

- 11.7.3 One (1) shot per target has to be fired.
- 11.7.4 The sighting targets must be marked by the organizing committee for the shooter in order to be able to recognize the targets i.e. the top left corner must be cut off.

11.8 Assistants

- 11.8.1 Each competitor is allowed to have one (1) assistant.
- 11.8.2 The competitor provides his/her own assistant.
- 11.8.3 The assistant may guide the shooter if he/she is liable to pick up the light from another shooters target.
- 11.8.4 The assistant may change targets for the competitor,
- 11.8.5 The assistant may tell the competitor his/her result, but the assistant may not coach during the match.
- 11.8.6 The assistant may touch the shooter for purposes of insuring safety without disturbing other shooters.
- 11.8.7 When the assistant is not in the process of 11.8.3, 11.8.4, 11.8.5 and/or 11.8.6, he/she has to step back one (1) meter from the firing line.

12

FUNCTIONAL CLASSIFICATION

12.1 Basic rules

- 12.1.1 Competitors will be classified according to their functional ability as determined by a functional classification panel of the ISCD. Multiple classifications may be allowed
- 12.1.2 A functional classification panel shall consist of at least one medical/paramedical officer and one technical officer, both of whom must be accredited by the ISCD.
- 12.1.3 The criteria to become an authorized international classifier is set out in a pathway agreed by the ISCD committee.
- 12.1.4 Shooters have to enter the classification room with all their equipment used in competition and an English-speaking interpreter if needed. A completed and signed Medical Information Form is required by all new shooters or those whose condition has changed.
- 12.1.5 No change of shooting classes will be permitted during the competition.

- 12.1.6 All functional classification must be done before the start of the competition. No competitor may enter a match without having an ID card.
In case of a new classification a temporary card will be issued before the start of the competition.

- 12.1.7 Only a functional classification panel can re-classify a competitor; however if two functional classification panels are available, the same classification panel who made the original classification shall not re-examine a competitor to settle a protest.
- 12.1.8 Re-classification will take place if:
- a. The competitors physical condition alters significantly (progressive diseases, etc.), which cases are so certified by the medical officer of their National Sports Organization on a medical information form.
 - b. The functional classification panel determines that re-classification is necessary.
 - c. there is a protest.
- 12.1.9 Protests, regarding the functional classification, must be made to the functional classification panel of the ISCD. The classification protest fee (US \$ 100) must be paid to the head of the protest jury of the functional classification panel. Protest fee must be returned if the protest is upheld and will be retained by the ISCD if the protest is denied.
- 12.1.10 A protest, made by the competitor against his/her own classification, must be lodged within 30 minutes after classification.
- 12.1.11 Reclassification:
- a. If a reclassification that results in a new class takes place more then 24 hours prior to the start of an event, then the new class / subclass will be applied in that event.
 - b. If a reclassification takes place less then 24 hours prior to the start of an event, then the shooter will

remain in the old class subclass for that event if it is not the wish of the shooter to change to the new class / subclass.

- c. If a reclassification, at any time, shows that the shooter has no minimum disability, then he / she will not be allowed to participate in any event.

12.1.12 The decision of the classification panel that handles the protest is final.

12.1.13 Under special circumstances the functional classification panel may allow a special backrest to overcome a specific physiological condition of the spine.

12.1.14 All rifle shooters are allowed to have a double classification.
The rifle shooters may be classified separate for prone and standing position.
SH2 shooters are allowed to have a double classification to compete as SH1 pistol shooter.

12.1.15 To participate in 3x20 or 3x40 events, the shooter has to be classified as SH1 in both prone and standing.

12.2 Minimum disability

12.2.1 Minimum disability for pistol in the non-shooting arm:

- a. in case of amputation: through the wrist.
- b. in case of disability other than amputation:
decrease of muscular strength in the non-shooting arm of at least 30 points and be unable to load the pistol with the non-shooting arm.
- c. severe joint mobility problems together with
decrease of muscular strength and/or coordination

problems comparable with disabilities under a and b of this section.

12.2.2 Minimum disability for rifle in the upper limbs:

- a. in case of amputation: below the elbow, less than 2/3 left of the forearm.
- b. in case of disability other than amputation: decrease of muscular strength in one upper limb of at least 30 points, or in both upper limbs of at least 50 points.
- c. severe joint mobility problems together with decrease of muscular strength and/or coordination problems comparable with disabilities under a and b of this section.

12.2.3 Minimum disability for pistol and rifle in lower limbs:

- a. in case of amputation: through the ankle.
- b. in case of disability other than amputation: decrease of muscular strength of at least 20 points in one lower limb or at least 25 points in both lower limbs.
- c. severe joint mobility problems together with decrease of muscular strength and/or coordination problems comparable with disabilities under a and b of this section, except single stiff knee or ankle in normal position or endoprosthesis in one hip.

12.2.4 Dwarfs shall not be eligible to compete unless they have an additional condition, which conforms to the minimum disability as, described.

12.2.5 Minimum disability for blind and visually impaired shooters visual acuity no higher than 0,1(6/60) with best correction and/or visual field limitation less than 20 degrees.

- 12.2.6 All the rules describing minimum disabilities are to be considered from the perspective of additional disabilities, which can give more or less (dis)advantage in shooting. In all cases the classification panel will make the final decision.

12.3 Classes

- 12.3.1 Competitors shall be classified into one of the three main classes SH1 SH2 and SH3, and within that class they will be allocated to a sub-class:

SH 1 : SH 1 A - SH 1 B - SH 1 C
SH 2 : SH 2 Aa - SH 2 Ba - SH 2 Ca
 SH 2 Ab - SH 2 Bb - SH 2 Cb
SH 3 : SH 3 x - SH 3 A - SH 3 B - SH 3 C

- 12.3.2 Specifications class SH 1

Pistol- and rifle competitors who don't require a shooting stand.

These groupings of disabilities are to be used as a guide only and the functional classification panel can assess each case in their full shooting equipment in the shooting positions.

- a Class SH 1 A

Sitting competitors who are able to stand and have normal trunk functions. No backrest is allowed on the shooting chair. These competitors may choose to stand to compete if they wish.

- b Class SH 1 B

Sitting competitors who have non-functional lower limbs or severe problems in lower limbs and have good pelvis control (functional abdominal/spinal extensors, m.quadratus lumborum). A low backrest is allowed on the shooting chair.

c. Class SH 1 C

Sitting competitors with non-functional lower limbs or severe problems in lower limbs and fair/none trunk functions. A high backrest is allowed on the shooting chair.

12.3.3 Specifications class SH 2

Rifle competitors who have measurable and /or visible permanent disability in upper limbs and therefore are unable to support the weight of a rifle for the purpose of the competitions with their upper limbs and require a shooting stand.

These groupings of disabilities are to be used as a guide only and the functional classification panel can assess each case in their full shooting equipment in the shooting positions.

a. Class SH 2 A

Sitting competitors who have one non-functional upper limb or severe problems with both upper limbs and have normal trunk functions. No backrest is allowed on the shooting chair. These competitors may choose to stand to compete if they wish.

b. Class SH 2 B

Sitting competitors who have non-functional lower limbs or severe problems in lower limbs and have

good pelvis control. A low backrest is allowed on the shooting chair.

c. Class SH 2 C

Sitting competitors who have non-functional lower limbs or severe problems in lower limbs and have fair/none trunk functions. A high backrest is allowed on the shooting chair.

Note: The high backrest is up to 10 cm below the armpits.

12.3.4 Specifications class SH 3

All shooters shall be classified into one valid class SH3x.

In case a SH3 shooter has additional disability as described in the ISCD rules for functional classification, the shooter may choose to shoot in sitting position and use a shooting chair in conformity with the ISCD rules for SH1 shooters. In that case the shooter should be classified as SH3a, SH3b or SH3c

12.3.5 Classification criteria.

Further details concerning classification and criteria are set in the classification guideline.

12.4 ID card.

12.4.1 The ID card must be carried with the shooter onto the firing line.

12.4.2 If a classified athlete is unable to produce his ID card at the competition, an administrative fee will be

charged of 20 euro to provide a signed and dated temporary card

- 12.4.3 For the reproduction of a lost ID card, a fee of 50 euro will be charged payable on application.

12.5 Classification Cheating.

In classification, cheating is defined as any misrepresentation of the athlete's functional ability and/or disability, including failure to cooperate with classifiers. When an athlete fails to fully cooperate during either the medical or functional phase of the process, the panel of classifiers shall withhold a classification.

An ISCD classifier may initiate a protest for suspected cheating athletes in all categories during their original classification evaluation at any time prior to or during the competition. When the athlete is found to have been cheating, follow-up procedures similar to those established for Doping control by the IPC will be followed

12.6 Epilepsy

It is imperative that epilepsy is stable and under control. During classification the certification of a neurological doctor must be handed over to the classification panel to certify that the epilepsy is stable and what type of epilepsy it is.

It is evident from the perspective of safety on the shooting range that temporal partial epilepsy is a contra-indication for shooting.

FALLING TARGETS

- 13.1 The competition is run as a pool competition. Each pool consists out of 4 shooters that will compete against each other. The 2 best results go to the following round.
- 13.2 The composition of the different pools is based upon the ranking lists in the events R1, R4 and P1 of the month prior to the competition. The first ranked athlete will start in pool 1; the second ranked athlete in the last pool. The third athlete starts in pool 2. All the other start places are assigned according the same system.
- 13.3 Every detail of the pool is shot over 2 rounds of 5 shots with a time limit of 2 minutes 30 seconds.
- 13.4 The commands for the competition are as follows:
- You have now 5 minutes preparation time – sighting shots included.
The end of the preparation will be announced 30 seconds before.
You shoot 2 series of 5 competition shots.

CHAPTER 13 – FALLING TARGETS

The time for each series of 5 shots is 2 minutes and 30 seconds.

The loading time before the start of the series is 10 seconds and the series starts with the command "ATTENTION"

The shooting time is stopped after the FULL COMPETITION TIME.

Preparation time starts now. (5 minutes)

30 seconds (is announced before the command 'Stop')

CHANGE TARGETS

LOAD

ATTENTION - START (2minutes 30 seconds)

STOP

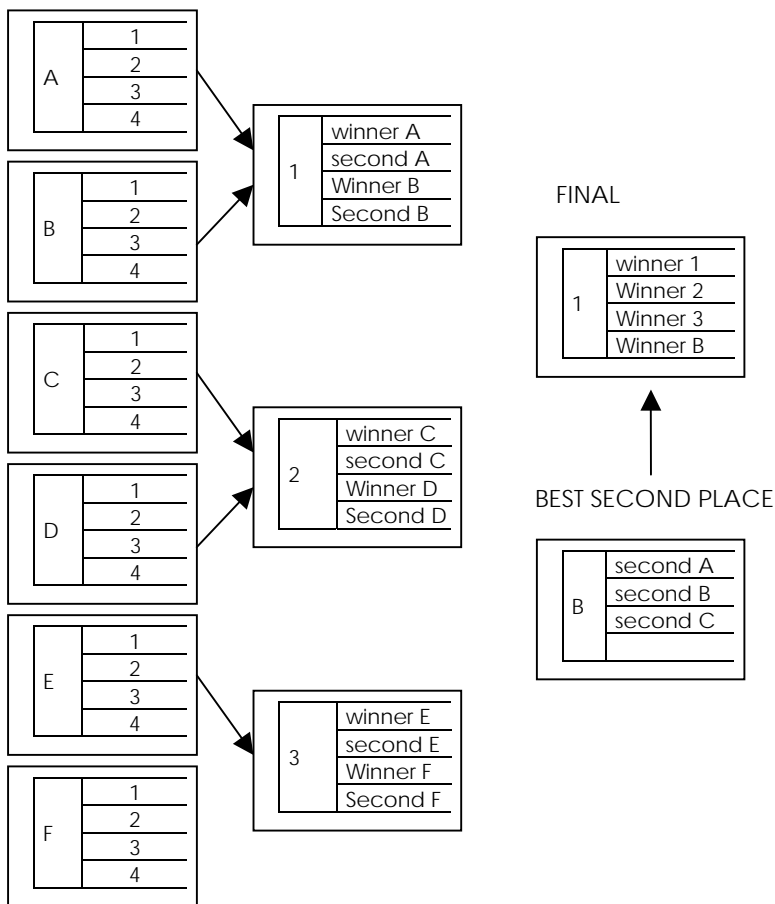
RESULTS

CHANGE TARGETS

.....

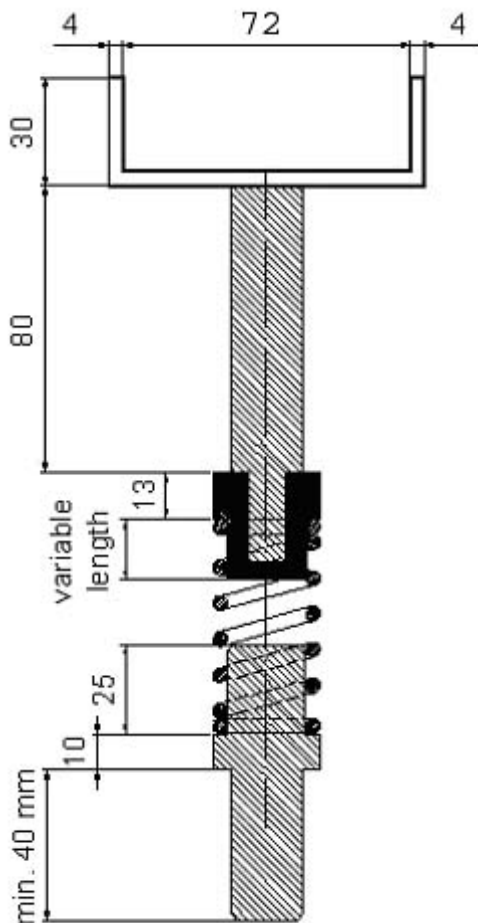
- 13.5 If a shooter fails to shoot within the allowed time limit, the shot(s) is counted as zero.
- 13.6 In case of equality a shoot-off on the extreme right target will determine the winner.
- 13.7 The targets are biathlon-type targets with 5 sights and the number of firing points to run the competition is 4.
- 13.8 The weapon is a standard air rifle or pistol.
- 13.9 The competition is shot as a separate event for Rifle SH1, Rifle SH2 and Pistol SH1.

- 13.10 In rifle the competition is shot in the standing position.
- 13.11 The size of the inserts is as follows: (from left to right)
 Air Rifle: 6mm – 6mm – 5mm – 5mm – 4mm
 Air Pistol: 24mm – 24mm – 16mm – 16mm – 11mm
- 13.12 Competition schedule:



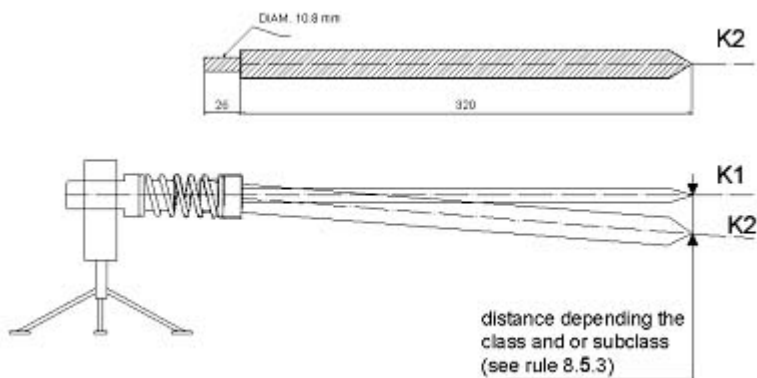
APPENDIX A

ISCD APPROVED SUPPORT STAND



APPENDIX B

MEASURING DEVICE FOR SUPPORT STAND



Tolerance:

K1 = diameter 11 mm =
250 gram – 0 gram + 2 gram

K2 = diameter 19 mm =
720 gram – 2 gram + 0 gram

K1 = small measuring bar for determination of zero point
K2 = heavy measuring bar to indicate the spring flexibility

APPENDIX C

APPLICATION FOR SHOOTING RECORD

RECORD APPLICATION FORM to be submitted to the secretariat of the International Shooting Committee for the Disabled (ISCD) by first class mail within two months following the date of competition. Applications without a complete list of results, program, a copy of the score sheet and classification card are not acceptable.

1. GENERAL INFORMATION

Date : .../.../... Requested record : Paralympic / World / Regional*
 Country : Location :

2. INDIVIDUAL COMPETITION

Last name : First name :
 Country : Sex : Men / Women*
 Event nr. : Description : Score :

3. TEAM COMPETITION

Country :
 Event nr. : Description : Score :

Name team members	Class	Sex
.....	Men / Women *
.....	Men / Women *
.....	Men / Women *

4. OFFICIALS

Name referee	Country	Signature
.....
.....
.....

Technical Delegate or technical representative of the ISCD :
 I hereby certify that the rules of the I.S.S.F. and the ISCD have been complied with, that the officials were duly certified and that the above statements are accurate. A certified survey of the shooting range event facilities attests to conformance with I.S.S.F. measurements and specifications.

Name Signature.....

5. NATIONAL FEDERATION

Name : Position :
 Date : .../.../... Signature :

For ISCD organization purpose only!

Received	Date : .../.../...	Ratification : .../.../...	
	Approval Yes <input type="checkbox"/> No <input type="checkbox"/>	Date : .../.../...	

APPENDIX D

PROTEST FORM

Details of person submitting this form		Event		
Name		R1 <input type="checkbox"/>	R7 <input type="checkbox"/>	P1 <input type="checkbox"/>
Federation/Country		R2 <input type="checkbox"/>	R8 <input type="checkbox"/>	P2 <input type="checkbox"/>
Status		R3 <input type="checkbox"/>	R9 <input type="checkbox"/>	P3 <input type="checkbox"/>
		R4 <input type="checkbox"/>	R10 <input type="checkbox"/>	P4 <input type="checkbox"/>
Competition		R5 <input type="checkbox"/>	R11 <input type="checkbox"/>	P5 <input type="checkbox"/>
Date and Time		R6 <input type="checkbox"/>		

Competitors Name	
ID-number	
Country	
Class	
Protest (use back of form for description)	

Rule being protested:

FOR OFFICIAL USE			
Date and time received		Protest	<input type="checkbox"/>
Protest fee paid	Yes <input type="checkbox"/>	No <input type="checkbox"/>	Appeal <input type="checkbox"/>
Decision of protest jury (use back of form)			

PROTEST / APPEAL HANDLED*	
Date and time	
Signatures of protest Jury:	
Protest / Appeal fee refunded	Yes <input type="checkbox"/>
No <input type="checkbox"/>	
In case of refunding, signature of submitting person:	

* strike the unnecessary

PROTEST FORM (side B)

PROTEST DESCRIPTION

For reference only
Use downloadable form

DECISION OF THE JURY

APPENDIX E

Checklist for inspection of equipment

ID number

1. Equipment

- Jacket
- Trousers
- Boots
- Gloves
- Kneeling roll
- Sling
- Guns
- Waist belt or suspenders

2. Chairs

- Armrests
- Side posts
- Low backrest
- High backrest
- Stretch backrest

3. Tables

Prone Table

- Horizontality
- Size
- Compressive material

Kneeling Table

- Horizontality
- Size
- Compressive material
- 10 cm diameter block

4. Support Stand

- Rifle-holder
- Spring, measuring
- Prosthesis rifle-support
- Balance mark on rifle

Date

APPENDIX F

Minimum Qualification Standard Competition APPLICATION FORM



INTERNATIONAL SHOOTING COMMITTEE FOR DISABLED

The Organizer:

Applies for MQS 1 MQS 2 MQS 3

See competition program below

Name of the competition:

Competition dates:

The application is only valid when returned to the ISCD secretariat prior to October 1st of the year preceding the competition and accompanied with the following documents:

1	Copy of the license(s) of the ISSF referee(s)
2	Copy of the sanction by the NPC or IOSD
3	The signed doping agreement (IPC Doping Control Agreement)

The organizer agrees to fulfil the conditions as stated in the ISCD rulebook 2005-2008 in Chapter 1 par. 1.3:

All MQS competitions must be sufficiently advertised (website, notification to NPC's worldwide, ...)

According the shooting program a minimum number of ISSF judges will be present during the competition:

Level	Program	ISSF judges
MQS 1	Full program: R1-R10(R9)/ P1-P5 / (FT)	3
MQS 2	Air events: R1-R5 / P1, P2, P5 / (FT)	2
MQS 3	.22 events: R6 – R8 / P3, P4	2

The ISSF referees must be approved by the ISCD. The application form must be accompanied by copy of his/her/their valid license(s).

The result book must be submitted in a paper and electronic version. The electronic version shall be the output of the MQS program submitted by ISCD for introduction of athletes in MQS competitions. (downloadable form the website)

It must include the id-numbers of the athletes in every result list.

A minimum of 4 countries need to participate at the competition to have a valid qualification competition.
The organizer need to notify the ISCD in case this criterion will be in danger.
If this criterion is not fulfilled the participating countries need to be notified immediately after the deadline of entries.

Media

For the purpose of a broader awareness of shooting sport for disabled accompany your application with the media contact address and indicate what media coverage the competition will receive (press conference, TV broadcasting, newspapers, etc.)

Doping: the organizer need to sign the IPC DOPING CONTROL AGREEMENT.
For shooting competitions the number of doping tests is set to:
In case of MQS 1 a minimum of 4 doping test will be executed. The tests are spread over 2 events. The tests includes the winner and an athlete chosen at random.

In case of MQS 2 or MQS 3 a minimum of 2 doping tests will be executed. The tests are executed in one event, including the winner and an athlete at random.

In all competitions the selection of the event(s) where the tests are executed is at the discretion of the doping control body.

All necessary information will be submitted to this agency by the organizer.

The organizer will confirm in writing that the ranges and targets used for the competition are conform to the relevant ISSF regulations edition 2005 and subsequent amendments.

World and/or Regional records cannot be obtained during this competition.

A fee of 250 euro will be submitted to the IPC bank account:

Deutsche Bank AG
Bonn, Germany
BLZ 280 700 59
Account/konto: 0290122

Mentioning MQS-competition + name and date of the competition.

Unclassified athletes (no ID-registration) will appear in the result list with blank field instead of the ID-number.
Their result (MQS) will be ratified when subsequently classified.

APPENDICES

The ISCD will announce her decision on sanctioning the competition before the end of the year prior to the competition.
The sanction will only be valid after payment of the IPC fee and the completion of all the documents.

The doping control agreement, the sanction by the governing body (NPC /IOSD) and the copies of the licences are an integral part of the application.

Date and signature:

IPC

Adenaueralle 2122-214
D-53113 Bonn
Germany
Ph: + 49 228 209 72 00
Fax: + 49 228 209 72 09
e-mail: info@paralympic.org
www.paralympic.org

ISCD

Walter Vlamincx – Chairman
Veldstraat 27
9250 Waasmunster
Belgium
Ph: + 32 52462236(p) +32 25417197(o)
Fax: +32 25417194
wvl@bigfoot.com
www.shootonline.org

APPENDIX G



MEDICAL INFORMATION FOR ISCD CLASSIFICATION

INTERNATIONAL SHOOTING COMMITTEE FOR DISABLED

Family Name	
Given Name	
Date of Birth (dd/mm/yy)	
Country	

Medical diagnosis:

For reference only
Use downloadable form

Name of doctor		
Signature of doctor		Date:
Address and contact details of Doctor		

Guidelines for completion by a Medical doctor

In the medical diagnosis box, please include in English, dates and details of anything which affects the MOTOR functions of the body, e.g. Congenital conditions, Spinal cord injuries/ diseases; Head injuries; Neurological conditions; Amputation of limbs; Peripheral Nerve lesions; Arthrodesis of joints;
Limitations due to pain are not taken into account for the purpose of classification if that is the only condition.

This information will only be used in order to ensure fair and equal competition for this disabled person in shooting competitions. It will be presented by the shooter to a classification panel and will be held by me as per the Data Protection Act (1984).

Thank you for your co-operation.

Sally Hall MCSP -Chief Classifier - ISCD

INDEX

A

applications for MQS	7
assistant	40

B

backrest	21; 23
Basic rules	5

C

centerline of the barrel	23
cheating	53
classes	50
compensating block	32
Competition numbers	9
Competitions	5

D

deshoulder	37
doping control	28
double classification	48

E

elbow support in kneeling	32
English Match .22 COED SH2	15
equipment SH3	42

F

firing line	25
functional classification	45

I

ID card.....	52
increased grip for SH2.....	37
ISCD-judges	10
ISSF regulated jacket for SH1B or C.....	26

K

kneeling position.....	33
------------------------	----

L

length of back above the backrest	24
loading assistant SH1	35

M

maximum stretch of backrest.....	22
maximum weight of the rifle SH3.....	42
Minimum disability	48
minimum disability SH3.....	43
Minimum standards for Paralympics	16
Minimum standards for World and Regional Championships.....	14
MQS fee	8

N

number of competitors.....	10
----------------------------	----

P

Penalties for testing positive.....	28
pistol events.....	38
point of balance.....	37
prone shooting.....	34
protest fee	9
protests.....	9
Protests on functional classification.....	47

Q

Qualification List	17
qualification ratio	17

R

Re-classification.....	47
records to be recognized	12

S

SH2 arm-amputee.....	36
shooting chairs	21
Shooting position SH3	41
Shooting tables.....	31
shooting times.....	29
Shooting trousers	26
sitting angle.....	22
standing position	34
support stand SH2	35

T

Targets SH3	43
team members.....	20
Team scores	20

U

unsporting conduct	11
--------------------------	----